



US006546018B1

(12) **United States Patent**
Garney et al.

(10) **Patent No.:** **US 6,546,018 B1**
(45) **Date of Patent:** ***Apr. 8, 2003**

(54) **DIGITAL SYSTEM HAVING A PERIPHERAL BUS STRUCTURE WITH AT LEAST ONE STORE-AND-FORWARD SEGMENT**

5,909,556 A 6/1999 Morriss et al.
6,298,067 B1 * 10/2001 Tang 370/447
6,389,501 B1 * 5/2002 Garney et al. 710/310

* cited by examiner

(75) Inventors: **John I. Garney**, Portland, OR (US);
John S. Howard, Portland, OR (US);
Venkat Iyer, Portland, OR (US)

Primary Examiner—Salvatore Cangialosi
(74) *Attorney, Agent, or Firm*—Blakely, Sokoloff, Taylor & Zafman LLP

(73) Assignee: **Intel Corporation**, Santa Clara, CA (US)

(57) **ABSTRACT**

(*) Notice: Subject to any disclaimer, the term of this patent is extended or adjusted under 35 U.S.C. 154(b) by 0 days.

A digital system is provided with a bus controller to operate and control a peripheral bus, wherein the bus controller selectively operates at least a first portion of the peripheral bus in a store-and-forward manner. The bus controller facilitates communication with a first bus agent in this first portion by sending a number of request packets destined for the first bus agent to a first hub in the first portion, in an integrated multi-packet form, in bulk, and at a first communication speed. The first hub buffers the request packets, and then forwards the request packets to the first bus agent, on a packet-by-packet basis, and at a second communication speed. In one embodiment, the second communication speed is slower than the first communication speed. In one embodiment, the first hub also receives communications destined for a second bus agent of this first portion, from the bus controller at the first communication speed, and repeats the communications for the second bus agent without buffering, at also the first communication speed. In another embodiment, the peripheral bus further includes a second portion, including a second hub that receives communications destined for a third bus agent in this second portion, from the bus controller at the second communication speed, and repeats the communications for the third bus agent without buffering, at also the second communication speed.

This patent is subject to a terminal disclaimer.

(21) Appl. No.: **09/309,484**

(22) Filed: **May 10, 1999**

(51) **Int. Cl.**⁷ **H04J 15/00**

(52) **U.S. Cl.** **370/428; 710/310**

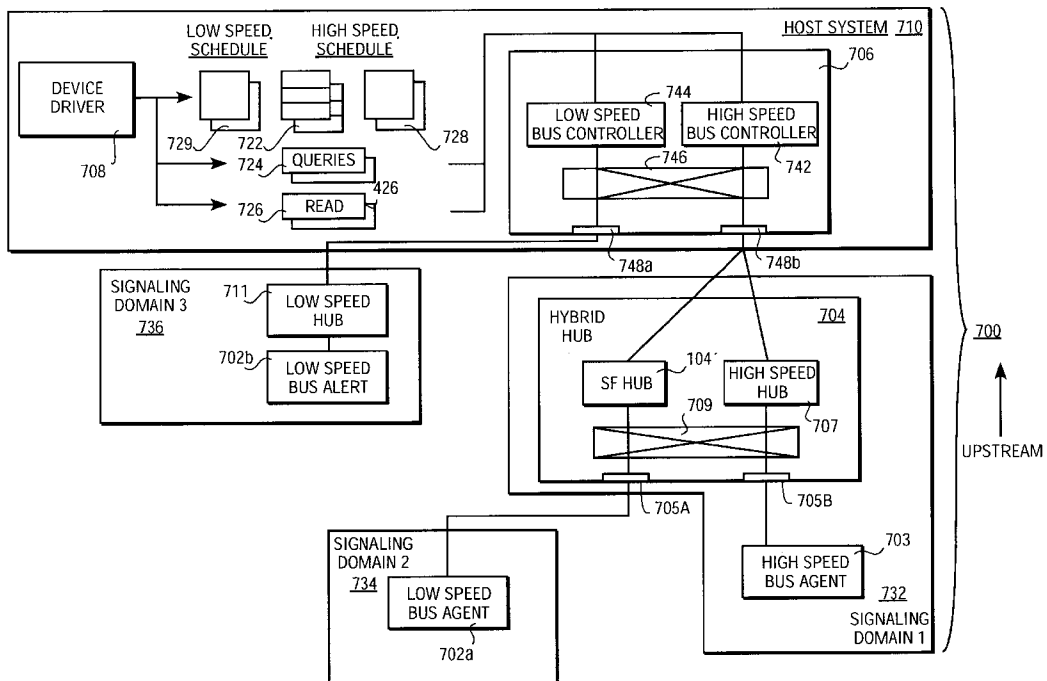
(58) **Field of Search** 370/407, 426, 370/428, 447; 710/310

(56) **References Cited**

U.S. PATENT DOCUMENTS

5,550,822 A * 8/1996 Ikeda 370/426
5,615,406 A 3/1997 Sasaki et al.
5,621,901 A 4/1997 Morriss et al.
5,623,610 A 4/1997 Knoll et al.
5,694,555 A 12/1997 Morriss et al.
5,742,847 A 4/1998 Knoll et al.
5,890,015 A 3/1999 Garney et al.

36 Claims, 7 Drawing Sheets



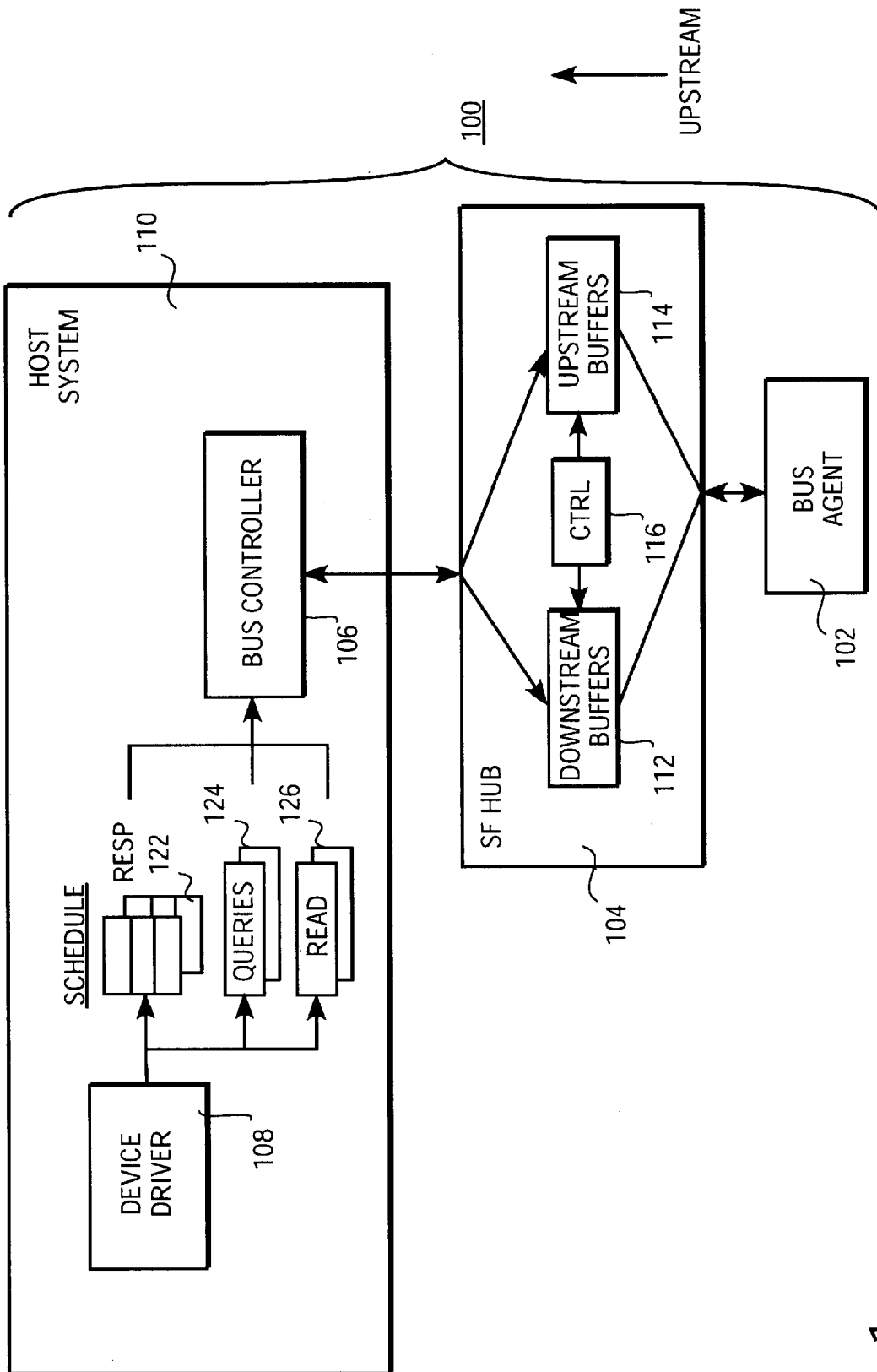


FIG. 1

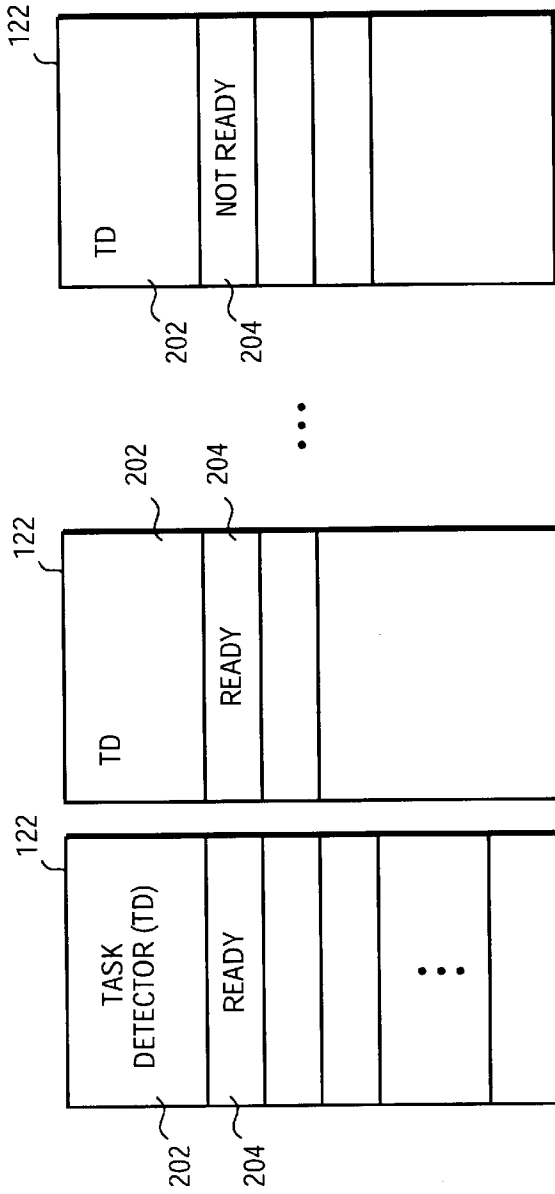


FIG. 2

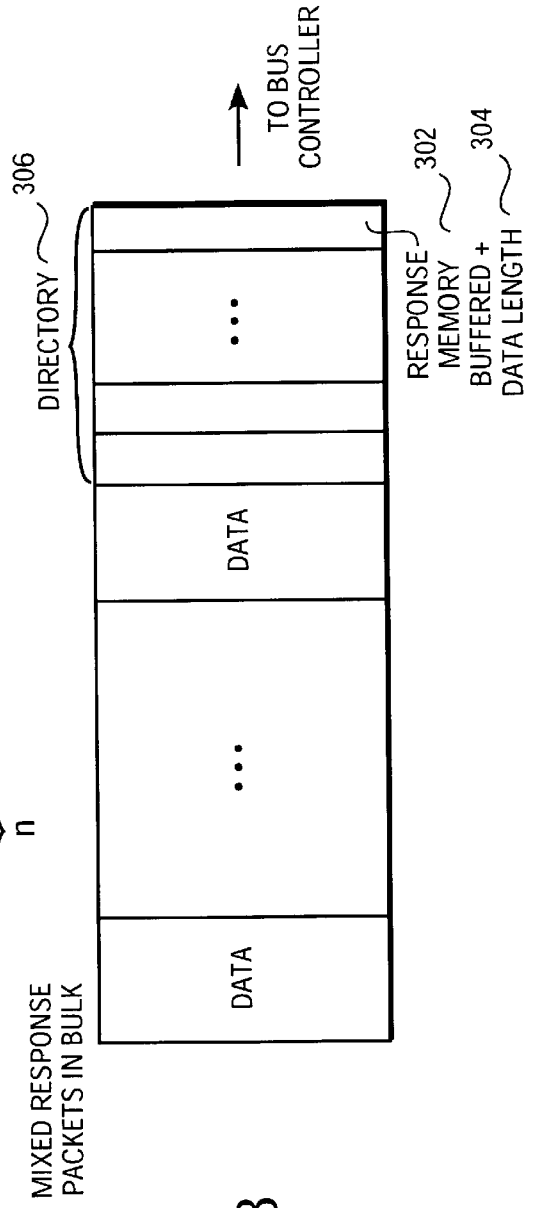


FIG. 3

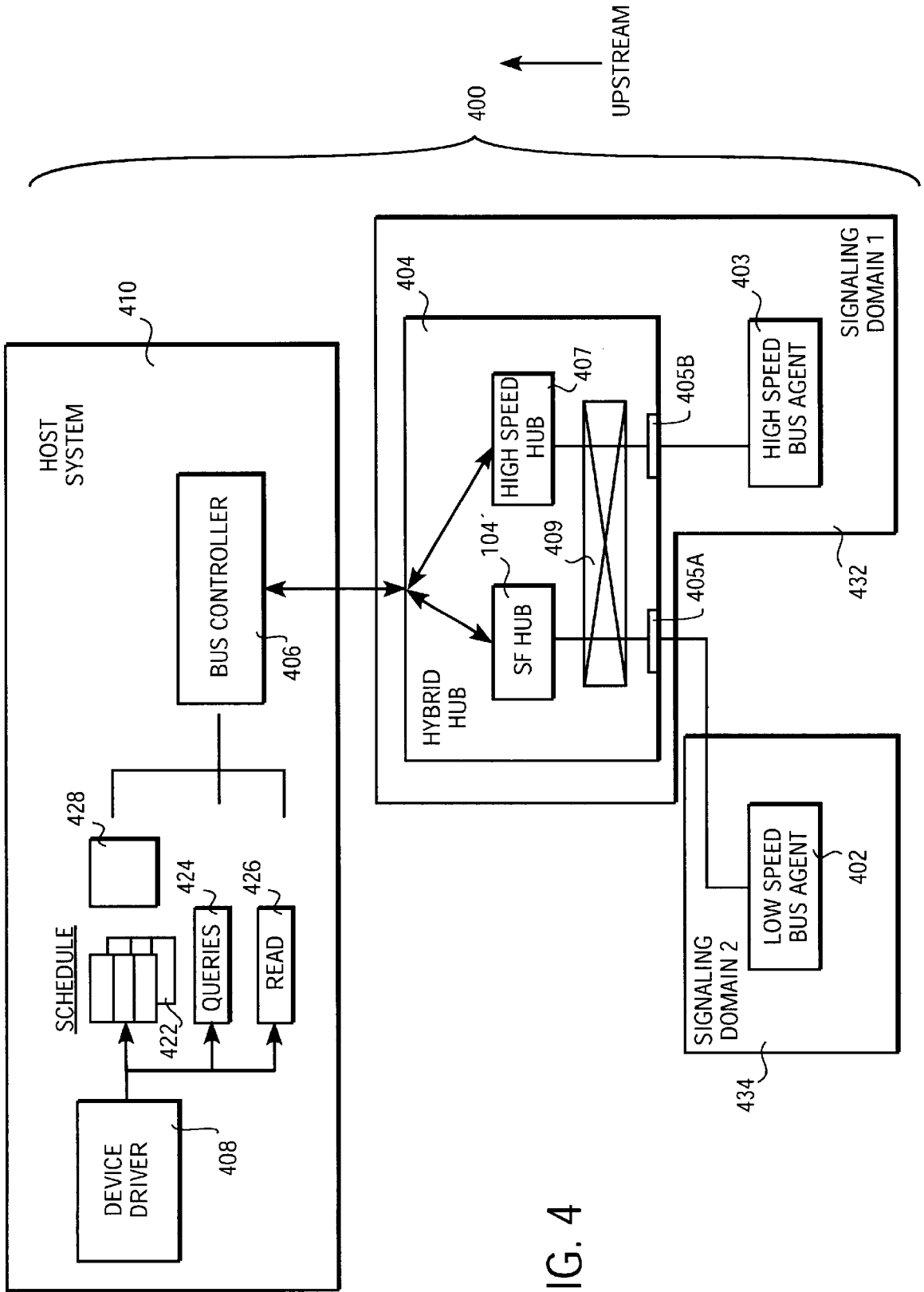


FIG. 4

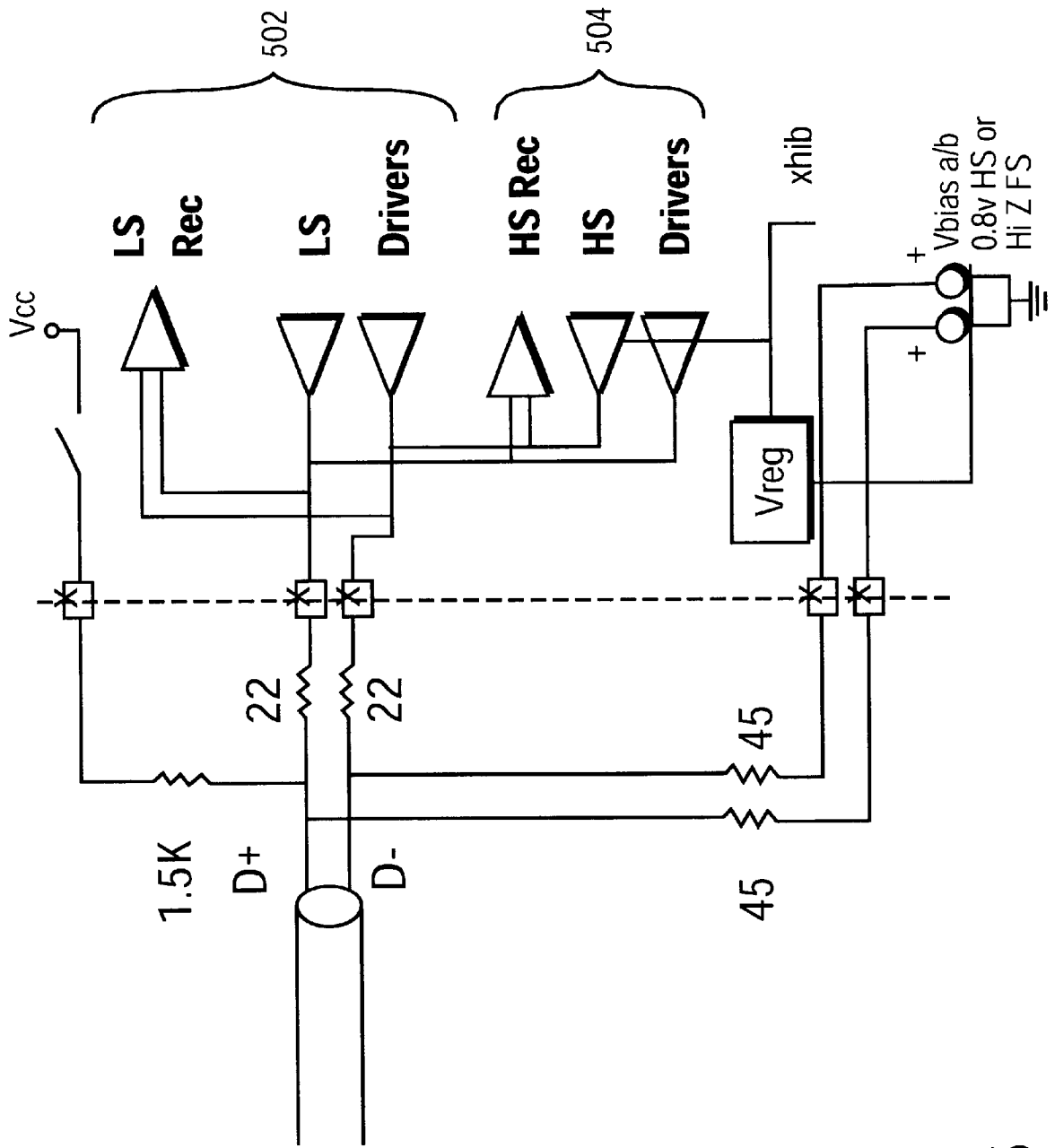


FIG. 5

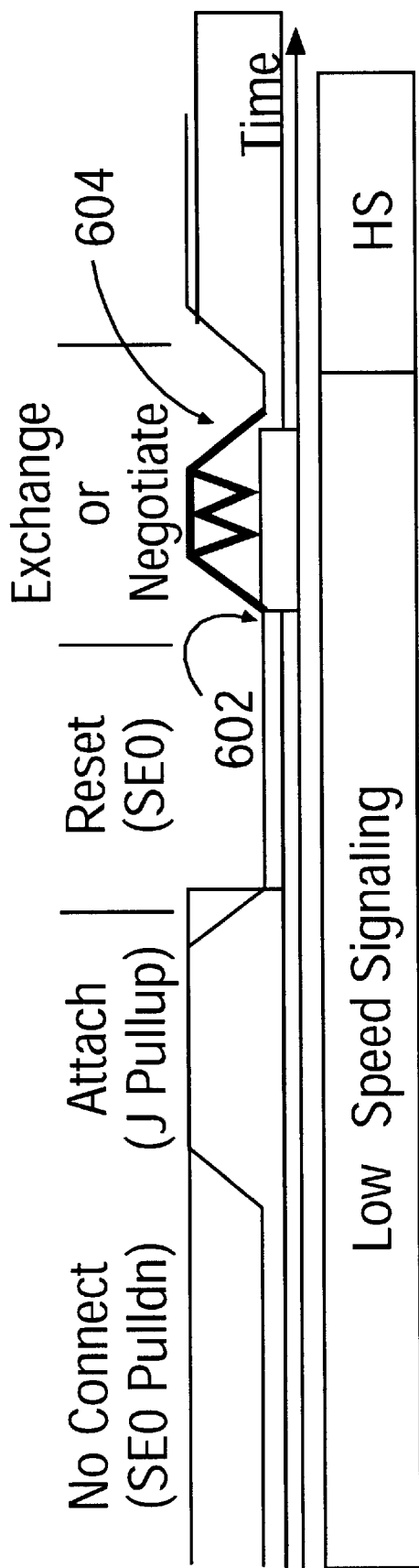


FIG. 6

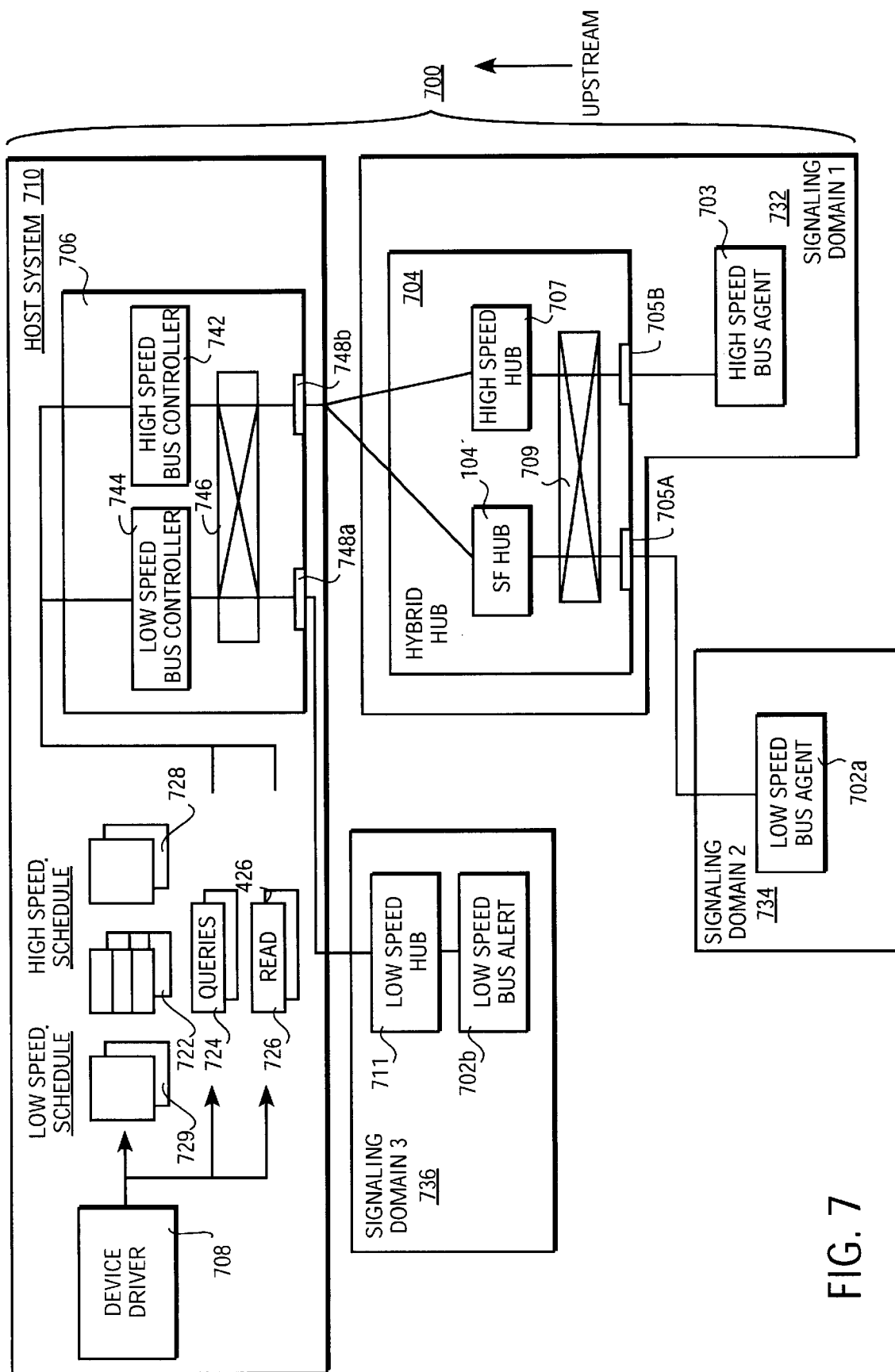


FIG. 7

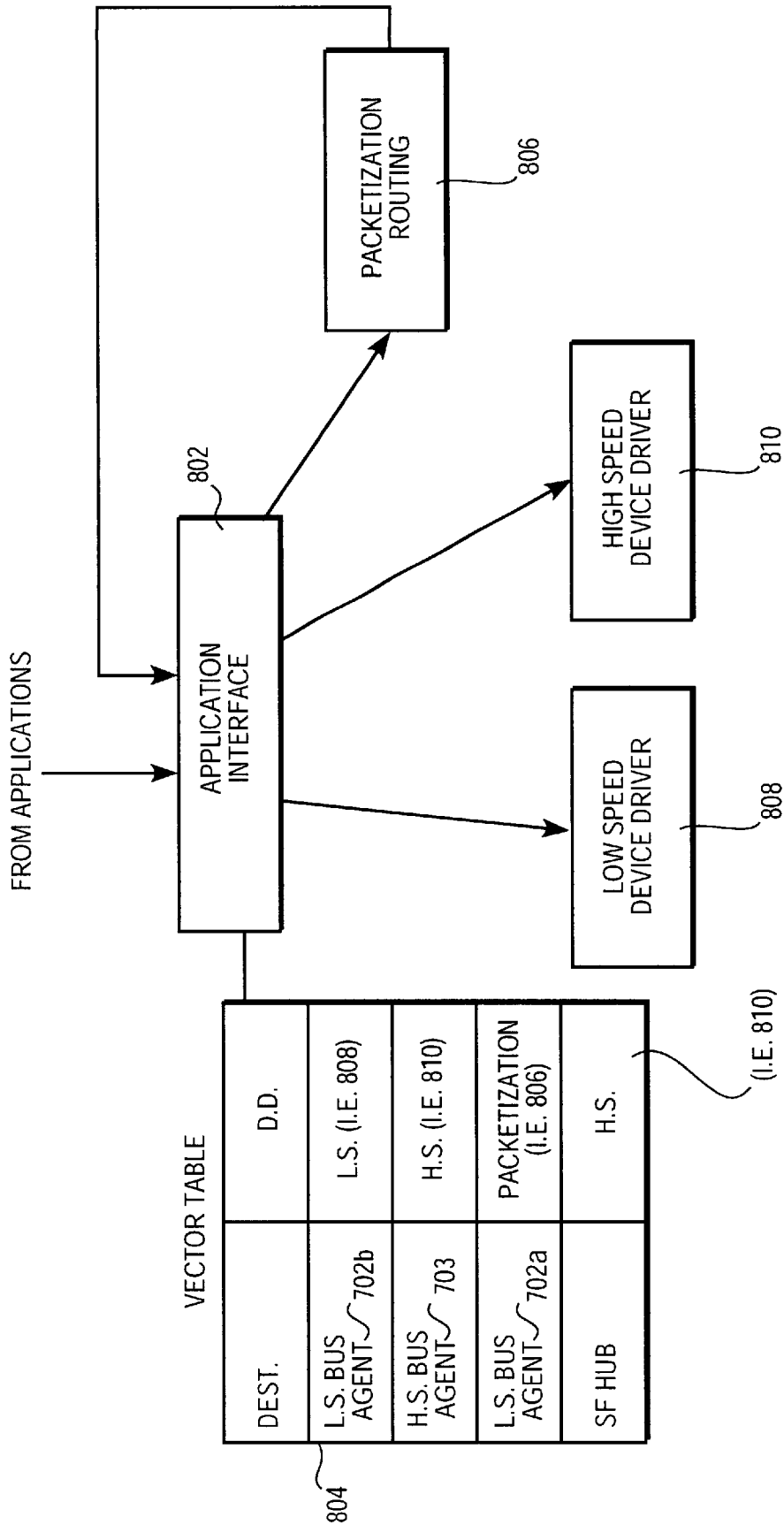


FIG. 8

DIGITAL SYSTEM HAVING A PERIPHERAL BUS STRUCTURE WITH AT LEAST ONE STORE-AND-FORWARD SEGMENT

BACKGROUND OF THE INVENTION

1. Field of the Invention

The present invention relates to the field of digital systems. More specifically, the present invention relates to the architectures of peripheral buses of digital systems.

2. Background Information

With the advances in microprocessor technology, today's personal computers possess computing power that rivals the capabilities of mainframe computers of past years. The advances had also led to increasing number of electronic appliances, such as set-top box, and other entertainment systems. Increasingly, these computers and electronic appliances are used for multi-media applications, involving isochronous data, such as audio and video. Together, these isochronous data impose a large aggregate bandwidth requirement on the peripheral bus, to which the isochronous peripheral devices are attached. Examples of isochronous devices include cameras, speakers, microphones, scanners, and so forth.

A number of peripheral bus technologies are known in the art. Universal Serial Bus (USB) is an hierarchical serial bus technology developed in recent years to provide a low cost and easy-to-use solution to meet multi-media application bandwidth requirement. To achieve the low cost and easy-to-use objectives, USB supports only a "full speed" signaling rate of 12 Mb/s and a "low speed" signaling rate of 1.5 Mb/s. To accommodate the "low speed" devices on the peripheral bus, speed shifting is performed on a packet boundary basis when alternating between the "full speed" and the "low speed" devices. Experience has shown that this is a significant performance burden to the "full speed" devices, and a waste of bandwidth. Moreover, recent experience has further shown that even greater bandwidth is required to support the ever increasing number and varieties of isochronous peripheral devices users are interested in.

Another popular peripheral bus technology is the Firewire or IEEE 1394 serial bus technology (IEEE 1394, High Performance Serial Bus, 1995). 1394 supports multiple signaling rates, up to 400 Mb/s. While the aggregate bandwidth is substantially higher than USB, 1394 is fundamentally a more costly technology. Moreover, it too employs the above mentioned wasteful speed shifting approach to accommodate the slower speed devices.

Thus, an improved approach to provide the desired increase in bandwidth, yet backward compatible to some of the lower cost solutions, such as USB, and unencumbered by the disadvantages of the prior art, is desired.

SUMMARY OF THE INVENTION

A novel digital system is disclosed. The digital system includes a bus controller and a device driver. The device driver operates the bus controller to provide a number of request packets destined for a bus agent to a hub, in one integrated multi-packet package and at a first communication speed, for the hub to buffer and forward the request packets to the bus agent, on a packet-by-packet basis, at a second communication speed.

BRIEF DESCRIPTION OF DRAWINGS

The present invention will be described by way of exemplary embodiments, but not limitations, illustrated in the

accompanying drawings in which like references denote similar elements, and in which:

FIG. 1 illustrates the store-and-forward peripheral bus of the present invention, in accordance with one embodiment;

FIG. 2 illustrates the employment of task status fields to self-regulate the amount of request packets transmitted to a store-and-forward hub;

FIG. 3 illustrates the employment of response memory buffer identifiers to streamline receipt of responses from the store-and-forward hub;

FIG. 4 illustrates a basic hybrid peripheral bus having at least one store-and-forward segment, in accordance with one embodiment;

FIG. 5 illustrates the provision of serial and parallel terminations to a port, in accordance with one embodiment;

FIG. 6 illustrates a signaling scheme for determining the communication speed capability of a device, in accordance with one embodiment;

FIG. 7 illustrates a more complex hybrid peripheral bus having at least one store-and-forward segment, in accordance with one embodiment; and

FIG. 8 illustrates the device driver for the hybrid bus controller of FIG. 7 in further detail, in accordance with one embodiment.

DETAILED DESCRIPTION OF THE INVENTION

In the following description, various aspects of the present invention will be described, and various details will be set forth in order to provide a thorough understanding of the present invention. However, it will be apparent to those skilled in the art that the present invention may be practiced with only some or all aspects of the present invention, and the present invention may be practiced without the specific details. In other instances, well known features are omitted or simplified in order not to obscure the present invention.

Parts of the description will be presented using terminology commonly employed by those skilled in the art to convey the substance of their work to others skilled in the art, such as device drivers, bus controllers, hubs, bus agents, and so forth. Also, parts of the description will also be presented in terms of operations performed through the execution of programming instructions, using terms such as processing, packaging, scheduling, transmitting, configuring, and so on. As well understood by those skilled in the art, these operations take the form of electrical, magnetic, or optical signals capable of being stored, transferred, combined, and otherwise manipulated through electrical components.

Various operations will be described as multiple discrete steps performed in turn in a manner that is most helpful in understanding the present invention. However, the order of description should not be construed as to imply that these operations are necessarily performed in the order they are presented, or even order dependent. Lastly, repeated usage of the phrase "in one embodiment" does not necessarily refer to the same embodiment, although it may.

A Basic Store and Forward Peripheral Bus

Referring now to FIG. 1, wherein a block diagram illustrating the store-and-forward peripheral bus of the present invention, in accordance with a basic embodiment, is shown. As illustrated, similar to serial buses known in the art, peripheral bus **100** includes bus agent **102** coupled upstream

to store-and-forward (SF) hub **104**, which in turn is coupled upstream to bus controller **106**. For the illustrated embodiment, bus controller **106** is installed on host system **110** and has associated device driver **108** that executes on host system **110**. However, unlike prior art serial buses, SF hub **104** is not simply constituted with circuitry that repeats the signals it receives on its upstream side on its downstream ports, and vice versa, SF hub **104** includes a number of downstream buffers **112** and a number of upstream buffers **114**, controlled by control circuitry **116**. Bus agent **102** and SF hub **104** communicate in one communication speed, while SF hub **104** and bus controller **106** communicate in another communication speed. SF Hub **104** bridges the communications conducted in different communication speeds without requiring speed shifting in between transactions with other peripheral devices operating in yet other communication speeds.

For ease of understanding, the remaining description will primarily be presented in the context of bus agent **102** and SF hub **104** communicating at a speed that is higher than the communication speed between SF hub **104** and bus controller **106**. However, from the description to follow, those skilled in the art will appreciate that the present invention may be practiced to bridge a slower communication speed to a higher communication speed instead, or even equal communication speed but different protocols.

Still referring to FIG. 1, to facilitate communications or transactions between host system **110** (e.g. on behalf of an application executing on host system **110**) and bus agent **102**, device driver **108** processes a number of the request packets destined for bus agent **102** into an integrated multi-packet package **122**, and schedules the integrated multi-packet package **122** for transmission by bus controller **106**, in bulk, to bus agent **102**, by way of SF hub **104**. The request packets may be of different request types, e.g. read as well as write, with different packet type information included in them. In response, bus controller **106** transmits the package **122** to SF hub **104**, in bulk, using the faster communication speed, for SF hub **104** to buffer in downstream buffers **112**. (Note that in the context of this transmission, package **122** itself is a packet, except its contents are "bundled" packets, and that fact is transparent to bus controller **106**). In turn, control circuitry **116** causes the request packets to be forwarded to bus agent **102**, on a packet-by-packet basis, using the slower communication speed.

Bus agent **102** in due course provides its responses, if applicable (e.g. in the case of a read request), to SF hub **104**, in the form of one or more response packets. Each of the response packets is also provided in the slower communication speed with which bus agent **102** operates. SF hub **104** buffers the response packets in upstream buffers **114**. In turn, control circuitry **116** causes the response packets to be returned to bus controller **106**, in bulk, using the faster communication speed, upon accumulating some or all the response packets due.

Note that while for ease of explanation, only one bus agent **102** is shown for peripheral bus **100**, as those skilled in the art will appreciate that typically multiple bus agents **102** are present in peripheral bus **100**. With the inclusion of proper addressing information, package **122** may include request packets destined for different bus agents **102**.

For the illustrated embodiment, when scheduling a package **122** for transmission, device driver **108** also schedules a query **124** for transmission by bus controller **106** to SF hub **104** sometime in a predetermined future, to query SF hub **104** on whether certain amount of response packets to the

package **122** have been accumulated. Control circuitry **116** signals bus controller **106** accordingly, depending on whether the inquired amount of response packets have been accumulated. If the inquired amount of response packets have not been all received, device driver **108** reschedules another query **124** for transmission by bus controller **106** in another predetermined time in the future. The process continues until eventually at some point in time, the inquired amount of response packets would have been accumulated. At such time, SF hub **104** responds to the query by returning the accumulated response packets in bulk, using the faster communication speed.

Thus, under the present invention, as alluded to earlier, the lower communication speed of bus agent **102** is bridged, eliminating the need for speed shifting to accommodate the lower communication speed of bus agent **102**, when switching from transactions with another peripheral device that is capable of operating at the higher communication speed.

Referring now also to FIG. 2, for the illustrated embodiment, device driver **108** also advantageously operates bus controller **106** in a self-regulated manner, such that the number of request packets transmitted to SF hub **104** to buffer will not overflow downstream buffers **112**. In particular, device driver **108** employs task status field **204**, disposed in task descriptor **202** of each package **122**, to effectuate the self-regulation. For the first *n* packages, device driver **108** schedules packages **122** with their task status fields **204** set to "ready", indicating their readiness for bus controller **106** to act on, as soon as bus controller **106** is free to do so. Thereafter, device driver **108** schedules packages **122** with their task status fields **204** set to "not ready", thereby preventing bus controller **106** to act on them, even if bus controller **106** is free to do so. Bus controller **106** subsequently updates these task status fields **204** to "ready", when responses to earlier transmitted requests are received, implying the availability of previously occupied buffer slots of downstream buffers **112**.

The size *n* is application dependent. It might be conservatively set without knowledge of the size of downstream buffers **112**. Alternatively, it may be set in proportion to the size of downstream buffers **112**, which may be made known to device driver **108** in a priori manner, or dynamically at configuration time, when SF hub **104** is first attached to bus controller **106**.

Referring now to FIG. 1 and FIG. 3, in an alternate embodiment where multiple bus agents **102** are present, device driver **108** and control circuitry **116** also advantageously employ response memory buffer identifier **302** to assist in the return of responses to requests destined for different bus agents, to streamline the response receive operation. More specifically, device driver **108** associates with each request destined for a different bus agent, a response memory buffer identifier **302** to identify the ultimate system memory locations where the response data of the bus agent are to be stored. When returning the response packets of the different bus agents in a "mixed" bulk, control circuitry **116** includes the appropriate response memory buffer identifier **302**, along with the size of each piece of the response data **304**, in directory **306**, disposed at the beginning of the bulk transmission. Upon receipt of mixed response data, bus controller **106** decodes the response memory buffer identifier **302**, and stores the next *m* bytes of data specified by the associated size indicator **304** to the identified system memory locations. Bus controller **106** repeats this process for all entries included in directory **306**. Thus, response memory buffer identifier **302** and the sizes of the different pieces of response data enable the response data

of different bus agents to be mixed, and yet directly copied into the ultimate appropriate system memory locations, thereby eliminating the need of temporary receive buffers for the different bus agents, and the additional copy operations otherwise will be necessary to copy the response data from the temporary receive buffers to their ultimate system memory locations. Furthermore, for the illustrated embodiment, the mixing of response data from different bus agents are selectively employed. Control circuitry 116 pretransmits a notification packet or a token (not shown) to bus controller 106, alerting bus controller 106 of the mixed nature of the next bulk transmission, whenever response data of different bus agents are included.

Continuing to refer to FIG. 1, in some embodiments, where the two communication speeds have an integer multiple relationship to one another, SF Hub 104 further uses the integer multiple relationship to synchronize the frame clocks of the two communication speeds when transmitting isochronous data, to avoid drifting and ensure high quality. For example, in one instance, SF Hub 104 derives the frame clock for the lower communication speed having a 1 ms frame for isochronous data from 8 data frames of the higher communication speed using 125 us frame for isochronous data.

As alluded to earlier, the above described advantageous manner of operation is substantially transparent to bus controller 106. That is, from the perspective of bus controller 106, it is merely transmitting a block of data at a speed it is electrically designed to operate. Therefore, except for the recognition of the task "readiness" status field and the streamlined direct storage operation, bus controller 106 may be implemented in any one of a number of conventional manners known in the art, as long as it can support the desired high speed of operation. As to the recognition of the task "readiness" status field and the streamlined direct storage operation, they may be implemented with any one of a number of combinatorial logic, and data paths to the system memory bus. Similarly, except for the teachings of the present invention, device driver 108 may otherwise be implemented in any one of a number of conventional manners known in the art. While for ease of understanding, device driver 108 is referred to in singular form, as those skilled in the art will also appreciate that it may be implemented in one or more modules.

Downstream and upstream buffers 112-114 may be implemented using any storage circuitry known in the art. Moreover, downstream and upstream buffers 112-114 may be further organized into different groups to facilitate different combination of speed/protocol bridging. Control circuitry 116 may be implemented using any combinatorial logic known in the art. Any one of a number of known techniques may be employed by SF hub 112 (or in conjunction with bus agent 102) to track and associate the response data to the requests, including association of the response memory buffer identifiers.

Bus agent 102 is intended to represent a broad range of peripheral devices known in the art, including but not limited to cameras, speakers, scanners, mice, joysticks, printers, monitors, and so forth. As indicated earlier, while only one bus agent is shown, the present invention may nevertheless be practiced with one or more bus agents 102. The multiple bus agents 102 may be coupled to host system 110 through one or more SF hubs 104. Furthermore, bus agent 102 may also be coupled to SF hub 104 through at least another conventional repeater type hub that operates at the above described slower communication speed. The conventional repeater type hub may in turn have one or more bus agents 102 attached to it.

Host system 110 is intended to represent a broad range of digital systems, including but not limited to laptop computers, desktop computers, servers, set-top box, entertainment systems, and so forth.

A Basic Hybrid Peripheral Bus

Referring now to FIG. 4, wherein a block diagram illustrating a hybrid peripheral bus having at least one segment deployed in accordance with the store-and-forward peripheral bus of the present invention, in accordance with one embodiment, is shown. As illustrated, similar to the earlier described embodiment, hybrid peripheral bus 400 includes low speed bus agent 402 and high speed bus agent 403 coupled upstream to ports 405a and 405b of hybrid hub 404 respectively, which in turn is coupled upstream to bus controller 406. Bus controller 406 is installed on host system 410 and has associated device driver 408 that executes on host system 410. However, unlike the earlier described embodiment, hybrid hub 404 is constituted with the earlier described SF Hub 104', a conventional repeater type hub logic 407 and routing network 409, which selectively couples ports 405a and 405b to SF hub 104' and conventional repeater type hub logic 407. Conventional repeater type hub logic 407 is electrically equipped to operate at the faster communication speed. Thus, low speed bus agent 402 and hybrid hub 404 communicate in the lower communication speed, while hybrid hub 404 communicates with bus controller 406 and high speed bus agent 403 using the faster communication speed. In other words, in addition to not having speed shifting between transactions with other higher speed peripheral devices, to accommodate the fact that bus agent 402 operates with a slower communication speed, hybrid peripheral bus 400 actually operates with two signaling domains 432 and 434, with signaling domain 432 operating at the faster communication speed and signaling domain 434 operating at the slower communication speed.

To facilitate communications or transactions between host system 410 (e.g. on behalf of an application executing on host system 410) and bus agent 403, device driver 408 simply schedules transactions 428 for bus controller 406 to transmit, and conventional high speed repeater hub logic 407 to repeat (without buffering) for high speed bus agent 403. To facilitate communications or transactions between host system 410 (e.g. on behalf of an application executing on host system 410) and low speed bus agent 402, as described earlier, device driver 408 processes a number of the request packets destined for low speed bus agent 402 into a multi-packet package 422, and schedules the multi-packet package 422 for transmission by bus controller 406, in bulk, to low speed bus agent 402, by way of SF hub 104'. In response, bus controller 406 transmits the package 422 to SF hub 104', in bulk, using the faster communication speed, for SF hub 104' to buffer. In turn, SF hub 104' causes the request packets to be forwarded to low speed bus agent 402, on a packet-by-packet basis, using the slower communication speed.

High speed bus agent 403 in due course provides the response packets, if applicable, for repeater hub 407 to repeat (without buffering) for bus controller 406. Low speed bus agent 402 in due course provides the response packets, if applicable, to SF hub 104'. Each of the response packets is provided in the slower communication speed with which low speed bus agent 402 operates. SF hub 104' buffers the response packets, and in turn, causes the response packets to be returned to bus controller 406, in bulk, using the faster communication speed, upon accumulating some or all of the response packets due. Device driver 408 employs queries

424 and instructions 426 as described earlier to cause SF hub 104' to return the response packets in bulk. Additionally, for the illustrated embodiment, device driver 408 also practices the earlier described self-regulating manner of operation, and the streamlined approach to receiving responses.

Thus, for hybrid peripheral bus 400, the lower communication speed of bus agent 402 is also bridged, eliminating the need for all the bus elements to speed shift to accommodate the lower communication speed of bus agent 402, when switching from transactions with another peripheral device that is capable of operating at the higher communication speed, such as bus agent 403. Furthermore, peripheral bus 400 operates with two signaling domains 432 and 434, with one domain concurrently supporting high speed bus agent 403.

Referring now also to FIG. 5, wherein a schematic diagram illustrating the electrical terminations provided to each of ports 405a and 405b, in accordance with one embodiment, is shown. As illustrated, each of ports 405a and 405b is provided with serial termination 502 and parallel termination 504. Serial termination 502 is employed for operation in the slower communication speed, whereas parallel termination 504 is employed for operation in the faster communication speed. Each of ports 405a and 405b is configured by the control circuitry of SF hub 104' to operate with the appropriate one of the two terminations, when control circuitry of SF hub 104' ascertained the operational speed of the attached device, i.e. bus agents 402 and 403. For the illustrated embodiment, the operational speed of the attached device is ascertained at the time the device is attached to the port. The attachment of a device to the port may be detected through any one of a number of techniques known in the art, including but not limited to the employment of pull-up devices.

Referring now to FIG. 4 and FIG. 6 instead, wherein in FIG. 6, a signaling protocol employed by control circuitry of SF Hub 104' to determine the communication speed capability of an attached device, in accordance with one embodiment, is shown. As illustrated, as in the prior art, upon detection of the attach pull-up, port 405a/405b drives a reset for a predetermined amount of time. Control circuitry of SF hub 104' allows the bus segment to settle down. After the expiration of the reset period, the control circuitry causes a predetermined signal pattern 602 to be driven through the port to the attached device, at the slower communication speed. The attached device then responds with a predetermined response pattern 604 within a predetermined time period, also at the slower communication speed. This pattern and response may repeat multiple times with the same or different predetermined pattern-response pairs during this exchange or negotiation period. Upon successful exchange of the requisite pattern-response pairs, for the illustrated embodiment, the control circuitry of SF hub 104' infers that the attached device is a device equipped to operate at the faster communication speed. In response, the control circuitry configures port 405a/405b to employ the parallel termination. Additionally, the control circuitry configures routing network 409 to couple port 405a/405b to repeater hub 407. However, if the requisite pattern-response pairs were not exchanged successfully, the control circuitry of SF hub 104' infers that the attached device is a device equipped to operate at the slower communication speed. In response, the control circuitry configures port 405a/405b to employ the serial termination instead. Furthermore, the control circuitry configures routing network 409 to couple port 405a/405b to SF Hub 104' instead.

Continuing to refer to FIG. 4, similar to the embodiment of FIG. 1, the above described advantageous manner of

hybrid operation is also substantially transparent to bus controller 406. That is, from the perspective of bus controller 406, it is merely transmitting a block of data at a speed it is electrically designed to operate, and it is indifferent to the fact whether the block of data is in the multi-packet form or not. Thus, again, except for the recognition of the task "readiness" status field and the streamlined direct storage operation, bus controller 406 may also be implemented in any one of a number of conventional manners known in the art, as long as it can support the desired high speed of operation. As to the recognition of the task "readiness" status field and the streamlined direct storage operation, as described earlier, they may be implemented with any one of a number of combinatorial logic, and data paths to the system memory bus. Similarly, except for the teachings of the present invention, device driver 408 may otherwise be implemented in any one of a number of conventional manners known in the art also. Also, while for ease of understanding, device driver 408 is referred to in singular form, as those skilled in the art will also appreciate that it may be implemented in one or more modules.

While for ease of understanding, only bus agents 402 and 403 are shown, those skilled in the art will appreciate that the present invention may be practiced with one or more hybrid hubs 404, supporting multiple levels of bus agents 402 and 403. Furthermore, the present invention may also be practiced with bus agent 402 coupled to SF hub 104' through at least one other conventional repeater type hub that operates at the slower communication speed. The conventional repeater type hub in turn may have one or more bus agents 402 attached to it. Likewise, bus agent 403 may be coupled to repeater hub 407 through at least one other repeater hub that operates at the faster communication speed. The repeater hub in turn may have one or more bus agents 403 attached to it.

Again, host system 410 is intended to represent a broad range of digital systems, including but not limited to laptop computers, desktop computers, servers, set-top box, entertainment systems, and so forth.

A More Complex Hybrid Peripheral Bus

Referring now to FIG. 7, wherein a block diagram illustrating a more complex hybrid peripheral bus having at least one segment deployed in accordance with the store-and-forward peripheral bus of the present invention, in accordance with another embodiment, is shown. As illustrated, similar to the earlier described embodiment of FIG. 4, hybrid peripheral bus 700 includes low speed bus agent 702a and high speed bus agent 703 coupled upstream to ports 705a-705b of hybrid hub 704 respectively, which in turn is coupled upstream to bus controller 706. Bus controller 706 is installed on host system 710 and has associated device driver 708 that executes on host system 710. However, unlike the earlier described embodiment, attached also to bus controller 706 is low speed hub 711, to which low speed bus agent 702b is in turn attached.

Bus controller 706 is a hybrid bus controller including high speed bus controller 742 and low speed bus controller 744. Except for the fact that one is electrically constituted to operate in a faster communication speed, and the other is electrically constituted to operate in a slower communication speed, constitutionally and operationally, bus controllers 742 and 744 are otherwise the same, and that they are variations of bus controllers 106 and 406 of FIGS. 1 and 4 described earlier. In addition, hybrid bus controller 706 also includes routing network 746 and ports 748a and 748b.

Routing network 746 selectively couples ports 748a and 748b to either high speed bus controller 742 or low speed bus controller 744. Ports 748a and 748b are also provided with the selectively configurable dual terminations of FIG. 5. High speed bus controller 742 also practices the signaling scheme in determining the communication speed capabilities of the devices attached to ports 748a-748b, and configures their terminations as well as routing network 746 accordingly.

Thus, as FIG. 4, low speed bus agent 702a and hybrid hub 704 communicate in the lower communication speed, while hybrid hub 704 communicates with hybrid bus controller 706 and high speed bus agent 703 using the faster communication speed. Additionally, low speed hub 711 also communicates with hybrid bus controller 706 and low speed bus agent 702b using the slower communication speed. In other words, hybrid peripheral bus 700 operates with three signaling domains 432, 434 and 436.

To facilitate communications or transactions between host system 710 (e.g. on behalf of an application executing on host system 710) and high speed bus agent 703, device driver 708 simply schedules transactions 728 for high speed bus controller 742 to transmit, and conventional high speed repeater hub 707 repeats (without buffering) the transmission for high speed bus agent 703. To facilitate communications or transactions between host system 710 (e.g. on behalf of an application executing on host system 710) and low speed bus agent 702b, device driver 708 employs a different schedule, and schedules transactions 729 for low speed bus controller 744 to transmit, and conventional low speed repeater hub 711 repeats (without buffering) the transmissions for low speed bus agent 702b.

To facilitate communications or transactions between host system 710 (e.g. on behalf of an application executing on host system 710) and low speed bus agent 702a, as described earlier, device driver 708 processes a number of the request packets destined for low speed bus agent 702a into a multi-packet package 722, and schedules the multi-packet package 722 for transmission by high speed bus controller 742, in bulk, to low speed bus agent 702a, by way of SF hub 104". In response, high speed bus controller 742 transmits the package 722 to SF hub 104", in bulk, using the faster communication speed, for SF hub 104" to buffer. In turn, SF hub 104" causes the request packets to be forwarded to low speed bus agent 702a, on a packet-by-packet basis, using the slower communication speed.

High speed bus agent 703 in due course provides the response packets, if applicable, for repeater hub 707 to repeat (without buffering) for high speed bus controller 742. Low speed bus agent 702b in due course, also provides the response packets, if applicable, for repeater hub 711 to repeat (without buffering) for low speed bus controller 744. Low speed bus agent 702a in due course provides the response packets, if applicable, to SF hub 104". Each of the response packets is provided in the slower communication speed with which low speed bus agent 702 operates. SF hub 104" buffers the response packets, and in turn, causes the response packets to be returned to high speed bus controller 742, in bulk, using the faster communication speed, upon accumulating some or all of the response packets due. Device driver 408 employs queries 724 and instructions 726 as described earlier to cause SF hub 104" to return the response packets in bulk. Additionally, device driver 708 practices the above described self-regulating manner of operation, and the streamlined approach to receiving responses.

Thus, for hybrid peripheral bus 700, the lower communication speed of bus agent 402a is bridged, eliminating the

need for all the bus elements to speed shift to accommodate the lower communication speed of bus agent 702a, when switching from transactions with another peripheral device that is capable of operating at the higher communication speed, such as bus agent 703. Yet, if desired, hybrid peripheral bus 700 permits low speed bus agent 702b to be accommodated within signaling domain 736. If desired, multiple communication speeds and speed shifting may even be practiced in signaling domain 736, while speed bridging is concurrently practiced between signaling domains 732 and 734.

Referring now also to FIG. 8, wherein a block diagram illustrating one implementation of hybrid device driver 708, in accordance with one embodiment, is shown. As illustrated, for this embodiment, hybrid device driver 708 includes application interface 802, vector table 804, packetization routine 806, low speed device driver 808 and high speed device driver 810. Low speed device driver 808 and high speed device driver 810 perform the conventional scheduling and related functions of a device driver associated with a bus controller. Except for the employment of the earlier described task status field and response memory buffer identifiers, low speed device driver 808 and high speed device driver 810 are otherwise intended to represent a broad range of these bus controller device drivers known in the art.

Similarly, application interface 802 shields the operational details of device drivers 808-810 from an application needing to communicate with low speed bus agents 702a-702b and high speed bus agent 703. In response to a request to transmit communication or a transaction to high speed bus agent 703, application interface 802 (as specified by vector table 804) passes the request to high speed device driver 810, which in turn performs the packetization, scheduling and related functions as in the prior art. Similarly, in response to a request to transmit communication or a transaction to low speed bus agent 702b, application interface 802 (as specified by vector table 804) passes the request to low speed device driver 808, which also in turn performs the packetization, scheduling and related functions as in the prior art.

However, in response to requests to transmit communications or transactions to low speed bus agent 702a, application interface 802 (as specified by vector table 804) passes the request data to packetization routine 806, which packetizes the request data into multiple packets (with each packet having low speed bus agent 702a as the ultimate destination), as described earlier. Upon packetizing the request data, packetization routine 806 passes the request packets to application interface 802, in bulk, along with a global destination identifier identifying SF hub 104" as the destined recipient of the packetized data. Application interface 802 (as specified by vector table 804) passes the packetized package data, in bulk, to high speed device driver 810, which in turn performs the bulk packetization, scheduling and related functions as any other requests, treating the multiple packets as a single package.

In other words, by the novel employment of modified vector table 804 and packetization 806, the presence of the store-and-forward segment of the hybrid peripheral bus 700, and the details of its operations, are advantageously made transparent to the low speed and high speed device drivers 808 and 810.

Continuing to refer to FIG. 7, as the earlier described embodiments, the hybrid operation is substantially transparent to the applications. That is, from the perspective of the

applications, it is merely handing off a block of data or requests to the device driver interface, without having to be cognizant of the different operating speeds of the various bus agents, and the manners through which they are attached to hybrid bus controller **706**.

Again, while for ease of understanding, only bus agents **702a–702b** and **703** are shown, those skilled in the art will appreciate that the present invention may be practiced with one or more hubs **704** and **711**, supporting multiple levels of bus agents **702a–702b** and **703**. Furthermore, the present invention may also be practiced with bus agent **702a** coupled to SF hub **104** through another conventional repeater type hub that operates at the slower communication speed. The conventional repeater type hub in turn may have one or more bus agents **702a** attached to it. Likewise, bus agent **702b/703** may be coupled to repeater hub **711/707** through another repeater hub that operates at the slower/faster communication speed. The repeater hub in turn may have one or more bus agents **702b/703** attached to it.

Lastly, host system **710** is also intended to represent a broad range of digital systems, including but not limited to laptop computers, desktop computers, servers, set-top box, entertainment systems, and so forth.

Concluding Remarks

In general, those skilled in the art will recognize that the present invention is not limited by the details nor the embodiments described. Instead, the present invention may be practiced with modifications and alterations within the spirit and scope of the appended claims. The description is thus to be regarded as illustrative instead of restrictive on the present invention.

Thus, a digital system having a peripheral bus with at least one store-and-forward segment has been disclosed.

What is claimed is:

1. A digital system comprising:
 - a bus controller; and
 - a device driver that operates the bus controller to provide a plurality of request packets destined for a first bus agent, to a first hub, in a multi-packet package, in bulk, and at a first communication speed, for the first hub to buffer the request packets and then forward the request packets to the first bus agent separately, on a packet-by-packet basis, and at a second communication speed.
2. The digital system of claim **1**, wherein the device driver further operates the bus controller to query the first hub on whether some or all response packets to a request have been accumulated.
3. The digital system of claim **1**, wherein the first communication speed is faster than the second communication speed.
4. The digital system of claim **1**, wherein the device driver further operates the bus controller to receive from the first hub, in bulk, response packets to a request, at said first communication speed.
5. The digital system of claim **1**, wherein the device driver further operates the bus controller in a self-regulating manner, regulating total number of multi-packet packages provided to the first hub to buffer and then forward to the first and other bus agents separately, on said packet-by-packet basis.
6. The digital system of claim **1**, wherein the device driver further operates the bus controller to transmit communications destined for a second bus agent to the first hub, to which the second bus agent is also coupled, at said first communication speed, for the first hub to repeat the com-

munications for the second bus agent without buffering, at also said first communication speed.

7. The digital system of claim **1**, wherein the device driver further operates the bus controller to transmit communications destined for a second bus agent to a second hub, to which the second bus agent is coupled, at said second communication speed, for the second hub to repeat the communications for the second bus agent without buffering, at also said second communication speed.

8. The digital system of claim **7**, wherein the bus controller includes first control circuitry to communicate with said first hub at said first communication speed and second control circuitry to communicate with said second hub at said second communication speed.

9. The digital system of claim **8**, wherein the bus controller further includes a routing network to selectively couple a first port, to which the first hub is attached, to the first control circuitry, and to selectively couple a second port, to which the second hub is attached, to the second control circuitry.

10. The digital system of claim **1**, wherein the digital system is a computer system.

11. A digital system comprising:

a bus controller; and

a first hub coupled to the bus controller to facilitate communication between the bus controller and a first bus agent to be coupled to the first hub, wherein the first hub includes first buffer circuitry to buffer request packets from the bus controller, provided in an integrated multi-packet form, in bulk, and first control circuitry to facilitate forwarding of the different request packets to the first bus agent, on a packet-by-packet basis, to enable the communication between the bus controller and the first hub to be conducted in a first communication speed, and the communication between the first hub and the first bus agent to be conducted in a second communication speed that is slower than the first communication speed.

12. The digital system of claim **11**, wherein the first hub further includes second buffer circuitry to buffer response packets to a request provided separately by the first bus agent at said second communication speed, and the first control circuitry further facilitates forwarding of the buffered response packets in bulk to the bus controller at said first communication speed.

13. The digital system of claim **12**, wherein the first control circuitry facilitates forwarding of the buffered response packets in bulk to the bus controller responsive to a query from the bus controller.

14. The digital system of claim **13**, wherein the first control circuitry further facilitates provision of signals to the bus controller denoting that response packets to a request are notready, in response to said query.

15. The digital system of claim **11**, wherein the first hub further includes second control circuitry to repeat communication received from the bus controller, at said first communication speed, for a second bus agent to be coupled to the first hub, at also said first communication speed.

16. The digital system of claim **15**, wherein the first hub further includes routing circuitry to facilitate selective coupling of a first port, to which the first bus agent is to be coupled, to the first control circuitry, and selective coupling of a second port, to which the second bus agent is to be coupled, to the second control circuitry.

17. The digital system of claim **11**, wherein the digital system further comprises a second hub, also coupled the bus controller, to facilitate communication between the bus

13

controller and a second bus agent to be coupled to the second hub, wherein the second hub includes second control circuitry to repeat communication received from the bus controller, at said second communication speed, for the second bus agent at also said second communication speed.

18. The digital system of claim 11, wherein the digital system is a computer system.

19. In a digital system, a method comprising:

providing a plurality of request packets destined for a first bus agent, in an integrated multi-packet form, in bulk, to a first hub at a first communication speed, for the first hub to buffer and then forward the request packets, on a packet-by-packet basis, to the first bus agent, at a second communication speed;

receiving response packets to a request from the first hub, in bulk, at said first communication speed, upon accumulation by the first hub, the response packets being provided by the first bus agent to the first hub separately, on a packet-by-packet basis and at said second communication speed.

20. The method of claim 19, wherein the method further comprises querying the first hub on whether the first hub have received some or all response packets to a request.

21. The method of claim 19, wherein the first communication speed is faster than the second communication speed.

22. The method of claim 19, wherein the method further comprises transmitting communications destined to a second bus agent to the first hub at said first communication speed, for the first hub to repeat without buffering to the second bus agent at also said first communication speed.

23. The method of claim 19, wherein the method further comprises transmitting communications destined to a second bus agent to a second hub at said second communication speed, for the second hub to repeat without buffering to the second bus agent at also said second communication speed.

24. In a digital system, a method comprising: buffering at a first hub a plurality of request packets provided in bulk from a bus controller to the first hub at a first communication speed; re-transmitting the buffered request packets, on a packet by packet basis, from the first hub to a first bus agent, at a second communication speed.

25. The method of claim 24, wherein the method further comprises buffering at the first hub response packets to a request provided separately by the first bus agent, each at said second communication speed, and forwarding the buffered response packets in bulk to the bus controller at said first communication speed.

26. The method of claim 25, wherein said forwarding of the response packets in bulk being performed in response to a query from the bus controller.

27. The method of claim 26, wherein the method further comprises the first hub signaling the bus controller indicating that response packets to a request are not ready, in response to said query.

28. The method of claim 24, wherein the method further comprises repeating at said first hub communication received from the bus controller at said first communication speed, for a second bus agent at also said first communication speed.

29. The method of claim 24, wherein the method further comprises repeating at a second hub communications received from the bus controller at said second communication speed, for a second bus agent at also said second communication speed.

30. A digital system comprising:

a first and a second plurality of peripheral devices; and a bus controller coupled to the first and second plurality of peripheral devices to concurrently operate the first

14

and second plurality of peripheral devices in at least a first and a second signaling domain having with a first and a second signaling rate respectively.

31. The digital system of claim 30, wherein the first and second subsets of peripheral devices include a first and a second bus agent equipped to operate in said first and second signaling domains respectively, and the first and second subsets of peripheral devices further include a common hub equipped to operate in both of said first and second signaling domains concurrently, with the common hub coupling the first and the second bus agent to the bus controller, and bridging signaling rate differentials between said first and second signaling domains.

32. The digital system of claim 31, wherein the common hub includes first buffer circuitry to buffer request packets destined for the first bus agent, received from the bus controller in bulk at a first communication speed, and first control circuitry to facilitate forwarding of the different request packets to the first bus agent on a packet by packet basis at a second communication speed; and

the common hub further includes second control circuitry to repeat communications, destined for the second bus agent received from the bus controller at said first communication speed, for the second bus agent at also said first communication speed.

33. The digital system of claim 32, wherein the common hub further includes second buffer circuitry to buffer response packets to a request provided separately by the first bus agent at said second communication speed, and the first control circuitry further facilitates forwarding of the buffered response packets in bulk to the bus controller at said first communication speed.

34. The digital system of claim 30, wherein the first subset of peripheral devices include a first bus agent and a first hub, both equipped to operate in said first signaling domain, and the second subset of peripheral devices include a second bus agent and a second hub, both equipped to operate in said second signaling domain, with the first and second hubs coupling the first and the second bus agents to the bus controller, which is equipped to operate in both of said first and second signaling domains, and the first and second hubs cooperating with the bus controller to concurrently facilitate communications with the first and the second bus agent in two separate signal rates.

35. The digital system of claim 34, wherein

the first hub includes first buffer circuitry to buffer request packets destined for the first bus agent, received from the bus controller in bulk at a first communication speed, and first control circuitry to facilitate forwarding of the different request packets to the first bus agent on a packet by packet basis at a second communication speed; and

the second hub further includes second control circuitry to repeat communications, destined for the second bus agent received from the bus controller at said second communication speed, for the second bus agent at also said second communication speed.

36. The digital system of claim 35, wherein the first hub further includes second buffer circuitry to buffer response packets to a request provided separately by the first bus agent at said second communication speed, and the first control circuitry further facilitates forwarding of the buffered response packets in bulk to the bus controller at said first communication speed.

UNITED STATES PATENT AND TRADEMARK OFFICE
CERTIFICATE OF CORRECTION

PATENT NO. : 6,546,018 B1
DATED : April 8, 2003
INVENTOR(S) : Garney et al.

Page 1 of 1

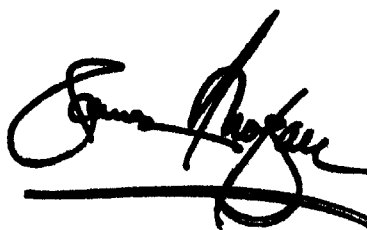
It is certified that error appears in the above-identified patent and that said Letters Patent is hereby corrected as shown below:

Column 11,

Line 16, delete "7111707", insert -- 711/707 --.

Signed and Sealed this

Sixteenth Day of September, 2003

A handwritten signature in black ink, appearing to read "James E. Rogan", with a horizontal line underneath.

JAMES E. ROGAN
Director of the United States Patent and Trademark Office