

**Appendix 3:** Figures, system diagram and basic composition of “Honda Electro Gyroator”, presented in Reference [3].

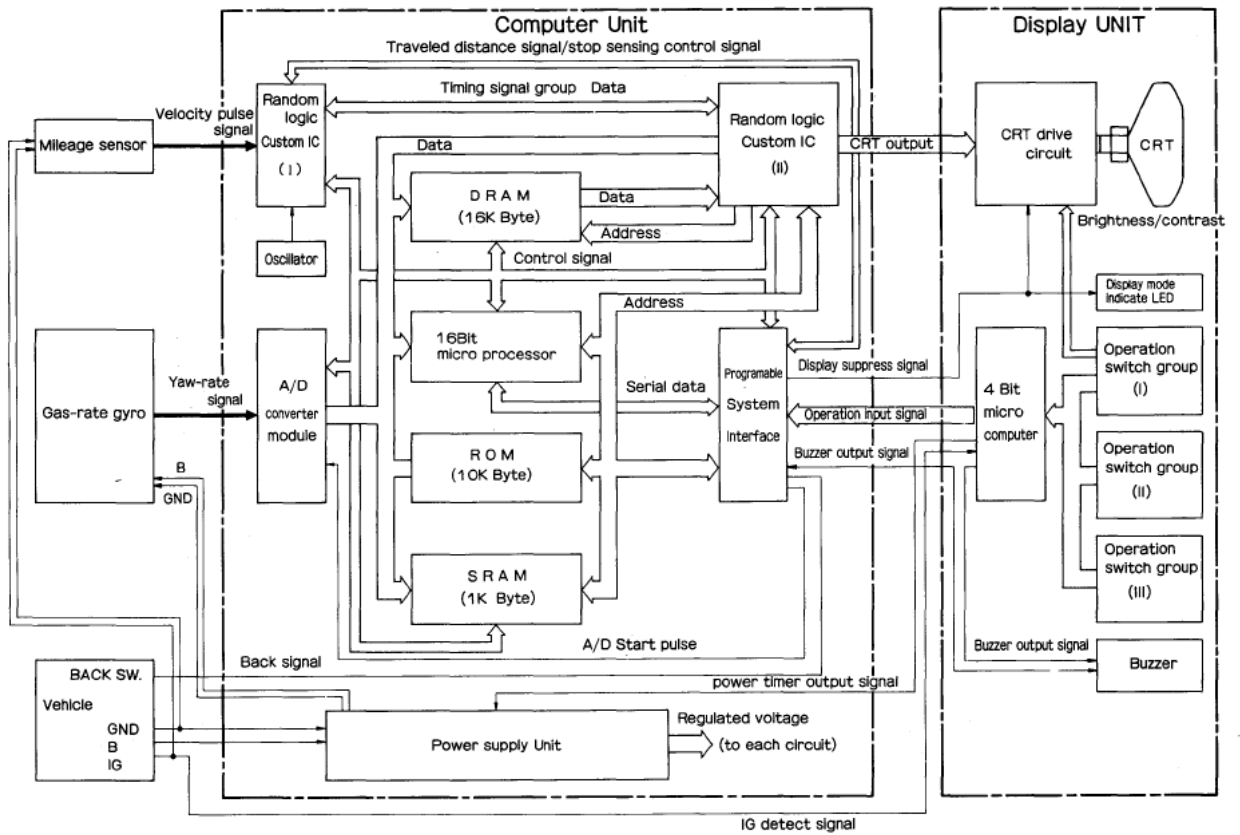


Fig. 1: Computer system configuration diagram of “Honda Electro Gyroator”.



Fig. 2: Printed circuit board to implement the system diagram of Fig.1.



Fig. 3: Mileage sensor in 'computer unit'



Fig. 4: Outside construction of gas-rate gyro sensor.

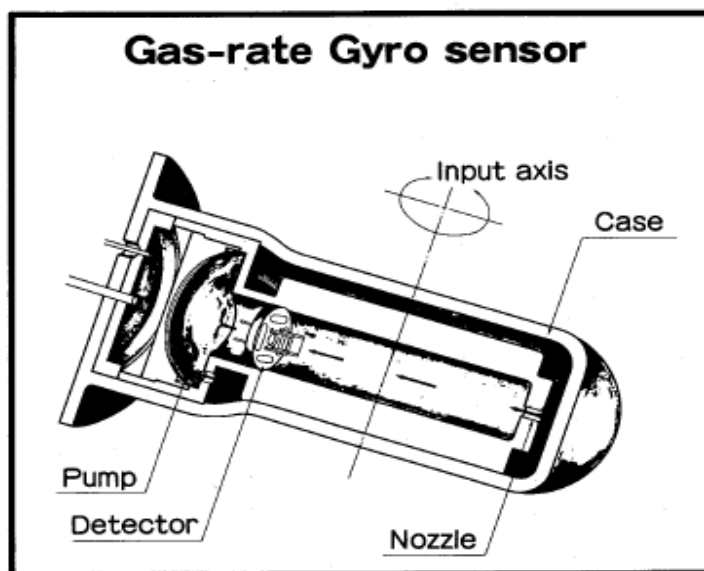


Fig. 5: Composition of gas-rate gyro sensor.